

Architectural SERIES

Description

The SafetyRail 2000 Architectural Series is a passive fall protection system that allows workers complete access to a leading edge while still being protected by the guardrail. It combines BlueWater Manufacturing's non-penetrating guardrail system with architectural appeal for applications where railing appearance is important.

Rail sections are constructed of 1.25" SCH 40 galvanized pipe. The rails secure to 108 pound cast iron bases that have four ports, allowing the rails to be placed in infinite positions. When the bases are installed in a run with a 90° return on each end, the combined mass and geometry of the installation creates an OSHA compliant barrier for roof edge protection.

The Architectural Series requires no penetration to the roof surface when installed.

Basic Use

The Architectural Series is ideal for new building construction, adding fall protection to a new building, or as an addition to existing guardrails. The system has a pleasing sightline and can enhance the appearance of a building while maintaining the utmost in fall protection.

OSHA Compliance

Compliant with regulations for guardrails:

- ▶ 29 CFR 1910.23
- ▶ 29 CFR 1926.502

Features

- ▶ More pleasing sightlines
- ▶ No drilling necessary to install
- ▶ No intermediate counterweights required
- ▶ Custom engineering/manufacturing available for special applications
- ▶ Curved, incline and straight stanchions available
- ▶ Deemed OSHA compliant by an independent accredited engineering firm
- ▶ Optional EPDM rubber pads and BUR pads available for added roof surface protection



For applications where appearances are important.

Minimum Requirements

In order to meet OSHA regulations for fall protection, outriggers must be utilized (returns/counter weights). Whether the Danger Side Run is 5' or 1000' in length, you must have these in place at the beginning and at the end of the run. Outriggers are standard rail kits that are connected at approximately 90° to the Danger Side Run of each end rail section.

See reverse side for additional specifications and test results

BlueWater
MANUFACTURING

4064 Peavey Road
Chaska, MN 55318

866-933-2935 • 952-448-2935

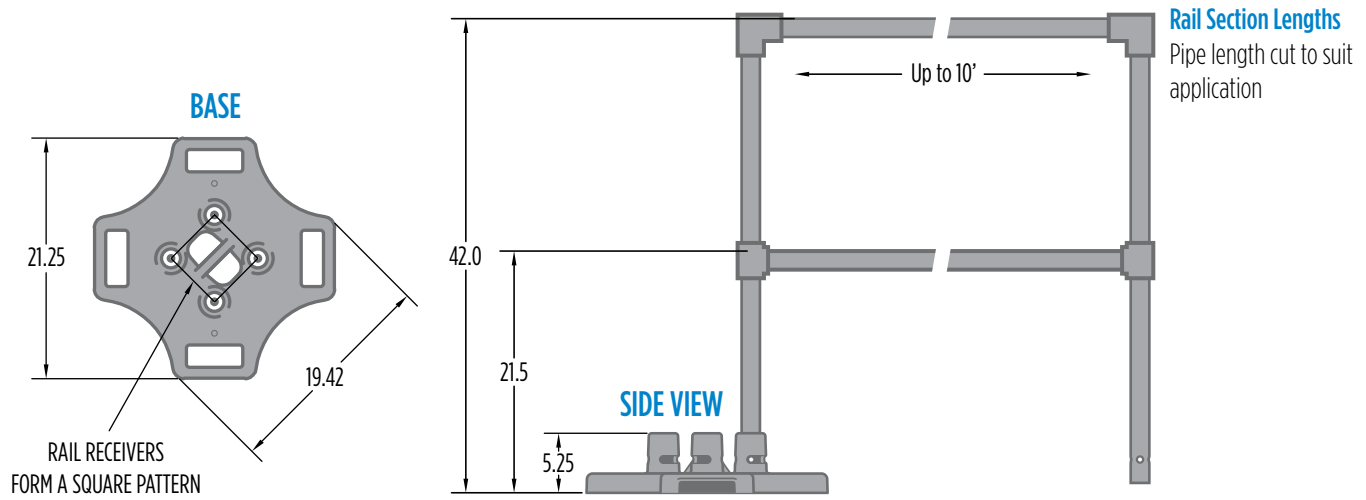
Fax 952-448-3685

www.bluewater-mfg.com

Email info@bluewater-mfg.com

A COMPANY OF INNOVATION — **NOT** IMITATION

Product Specifications



Roof Edge Protection:

Provide freestanding fall protection system on roof tops.

Approved product: Architectural Series Guardrail System.

Standards: System shall have top and mid rail in accordance with OSHA Standards – 29 CFR 1910.23 and 29 CFR 1926.502

Structural Load: 200 lb (90.7 kg), minimum, in any direction to all components in accordance with OSHA Regulations 29 CFR 1910.23 and 29 CFR 1926.502

Height: 42 inches (1067 mm), minimum.

Railings: 1.66" O.D. galvanized pipe

Mounting Bases: Class 30 gray iron material cast with four receiver posts. Base weight 108 lb, 48 lbs per square foot. Rubber pads on base bottoms.

Receiver Posts: Shall have a positive locking system into slots that allow rails to be mounted in any direction. Friction locking systems are not allowed. Receiver posts shall have drain holes.

Hardware: Securing pins shall be 1010 carbon steel, zinc plated and yellow chromate dipped. Pins shall consist of collared pin and lanyard that connects to lynch pin.

Finishes: Available in standard Hot-Dip Galvanized. Custom colors available.

Options

Surface Protection Pads: EDPM Rubber Pads and Bur Pads are available

Independent Test Results

Load Testing available on request



PROJECT:	
CONTRACTOR:	
DATE:	



www.bluewater-mfg.com